



Installation Instruction

Prior to shipment, Big-Bubba® filters have been inspected to assure they are free from manufacturing defects. Before installation, however, please check the lid's o-ring to be sure it is in place and note the inlet and outlet labels for proper pipe connections.

Note: Big-Bubba filters have two outlets to allow for same direction piping. A plug has been provided to use to close off the pipe fitting not used.

Specifications

| | BBH-150 |
|---|--------------------------------|
| Material, body & cartridge end caps (all wetted surfaces) | Glass reinforced PP |
| Material, swing bolts | 304SS |
| O-Ring | EPDM |
| Lid closure | Swing bolt |
| Pipe fittings (two inlets and one outlet) | 2" SLIP |
| Drain | 3/4" with drain plug |
| Overall height | 40" |
| Width (vessel OD) | 12" |
| Maximum flow rate (with pleated cartridges) | 150 GPM (36M ³ /hr) |
| Maximum flow rate (with depth cartridges) | 100 GPM (24M ³ /hr) |
| Maximum flow rate (with carbon cartridges) | 10 GPM 2.4 M ³ /hr) |
| Maximum temperature (housing) | TBA |
| Maximum working pressure | 125 psi (8.75 bar) |
| Maximum temperature | 175°F (80°C) |
| Burst test | 300 psi |
| Cartridge change-out, sediment | 30 psid (max.) |
| Cartridge change-out, carbon | Every 6-12 months* |
| Cycles test (0 to 150 psi) | 100,000 |
| Shipping weight | 47 lbs. |
| Carton dimensions (LXWXD) | 16" x 16" x 40" |

*Depending on chlorine level and water usage. Note: Flow rates are for guidelines only, and they are based on micron rating, solids content and other factors. Users are to determine the best flow rate for their application based on these factors.

Installation procedures

Install filter housing after pump using the appropriate size pipe. (Pipe fittings are 2" slip.) Be sure to install shut-off valves before and after the filter housing and on any drain connections, which are to be installed. A 1/4" FNPT port is located on top of the filter's lid, and a pressure gauge has been provided. Locate this gauge (in carton) and install it in gauge port using Teflon tape. A second gauge may be installed, downstream of the filter (in the pipe line) to indicate pressure differential and help you determine when cartridge replacement may be necessary.

Cartridge installation

To remove the filter's lid when the filter is under pressure, press pressure release button to release pressure. Then remove eye bolts, lid and notice the way the o-ring is positioned. From time to time, this o-ring may be lubricated for optimum performance.

Big-Bubba filter cartridges have double o-rings on the male ends to provide superior sealing. From time to time, these o-rings may be lubricated for better results. The other end of the cartridge is closed, and a handle is part of the end cap for convenience.

Page 2

Installation Instructions For Big-Bubba® Filters

Big-Bubba filter cartridges also have locking tabs on the male ends of the cartridges to lock the cartridges in place. For proper installation, insert filter cartridge into the cartridge adapter, which is located at the bottom of the filter housing. Once the cartridge is pushed down all the way, rotate cartridge clockwise to engage the locking tabs until the cartridge has been locked in place.

To remove cartridge, rotate cartridge counterclockwise and pull upward.

Vent and pressure gauge

A 1/4" FNPT port and pressure gauge has been installed in the filter's lid to indicate working pressure. A second gauge may be installed, downstream of the filter in the pipe line to indicate pressure differential and help determine when cartridge replacement may be necessary.

Initial start up

Once the piping procedures are completed, shut-off valves have been installed and the cartridge has been inserted and locked in place, open outlet completely, start up pump and open inlet valve slowly to check for leaks. If leaks occur, shut off pump, close inlet and outlet valves, release pressure by pressing pressure release button, remove lid and check the o-ring to be sure it is properly seated.

Caution

Do not attempt to remove lid without releasing pressure. To open lid, close shut-off valves before and after filter; press pressure release button to release pressure. Once pressure has been released, remove eye bolts and lid. To start up filter, replace lid; tighten eye bolts; and open shut-off valves slowly to check for leaks. If lid o-ring does not seat properly, close shut-off valves, release pressure, open lid, reposition o-ring and close lid.

Do not operate filter above 125 psi (8.75 bar). In installations where pressure is above 100 psi (7 bar), install a pressure release valve to release pressure at 125 psi (8.75 bar).

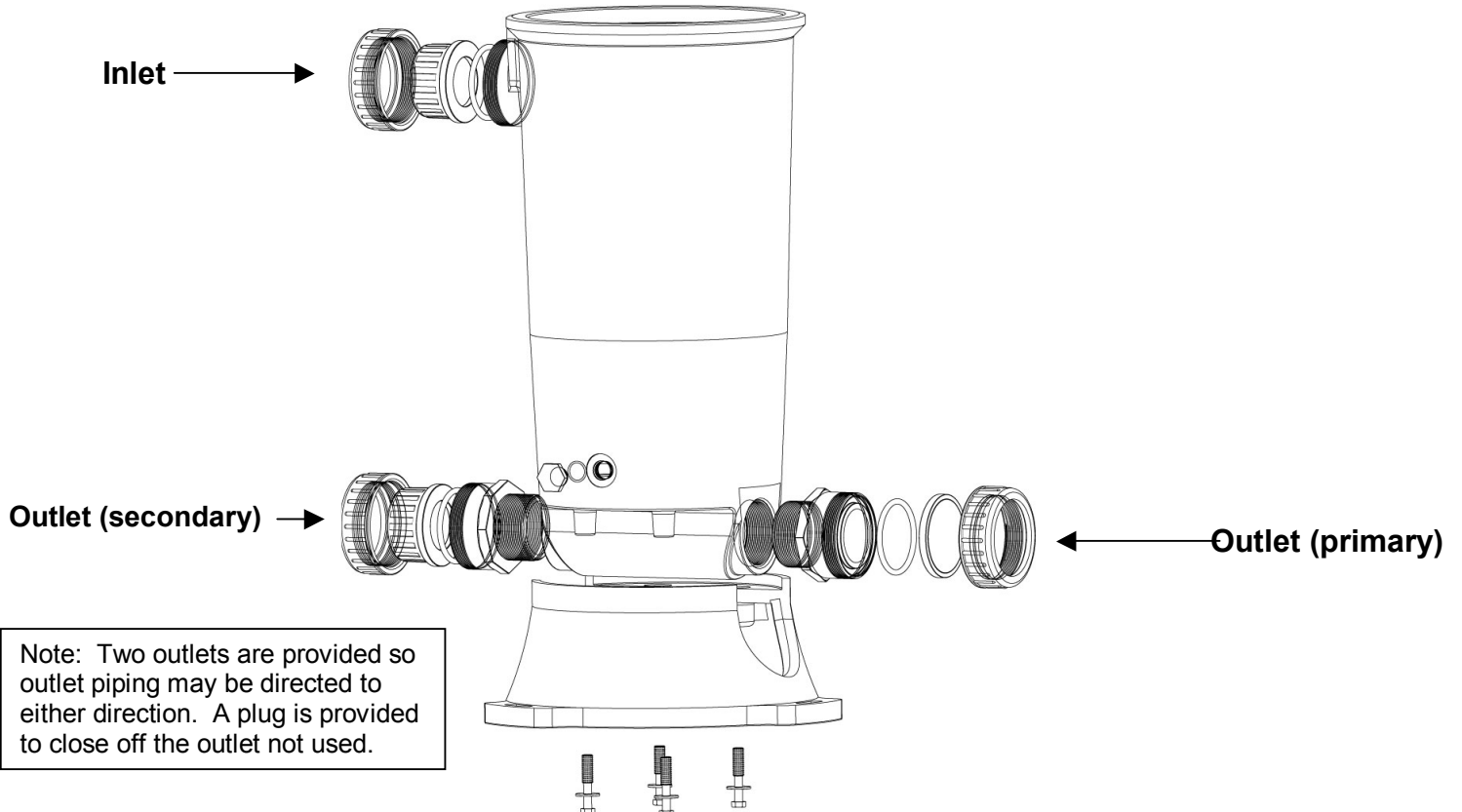
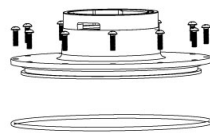
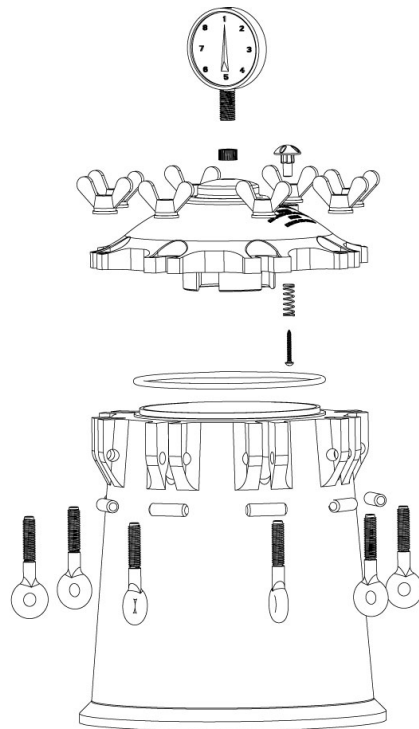
Routine cartridge replacement

1. Close inlet valve.
2. Close outlet valve if filter is "flooded", under pressure or located below storage tank or grade.
3. Open valve on drain, if a drain pipe has been installed.
2. Press pressure lease button to release pressure.
3. Remove lid after pressure has been released.
4. Rotate cartridge counterclockwise and pull upward.
5. Install new cartridge. (Push downward and rotate clockwise to engage locking tabs.)
6. Check lid o-ring be sure it is properly seated. Lubricate if necessary.
7. Replace lid.
8. Replace eye bolts and tighten. (Hand tight is sufficient.)
9. Close valve on drain if a drain was installed.
10. Open outlet pipe completely.
11. Turn on pump.
12. Open inlet pipe slowly to check for leaks.
13. Vent filter to dispel air by depressing pressure release button.
(Be careful when releasing pressure or dispelling air if high temperature water is being filtered.)

Note: If leaks occur, close inlet pipe and follow procedures previously described.



Page 3
Installation Instructions For Big-Bubba® Filters



Note: Two outlets are provided so outlet piping may be directed to either direction. A plug is provided to close off the outlet not used.

Spare parts

| Part Number | Description |
|--------------------|--|
| BB-LID | Lid |
| BB-PR | Pressure release button, washer and screw. |
| PG15L25 | Pressure gauge |
| BB-EYEBOLT | Eye bolt |
| BB-STUD | Stud for eye bolt |
| BB-POST | Post for eye bolt |
| BB-WINGNUT | Wing nut |
| BB-WASHER | Washer for lid closure |
| BB-LW | Lock washer for lid closure |
| BB-ORING | O-ring for lid closure |
| BB-COUPLER | Coupler (two piece) |
| BB-COUPLER-OR | O-ring for coupler and plug |
| BB-PLUG | Plug for second outlet |
| DRAINPLUG | Drain plug with o-ring |
| BB-CASCREWS | Screws for cartridge adapter |
| BB-SC | Shipping carton with corrugated inserts |

